

**OFF-HIGHWAY TRAILER AXLES & SPECIALTY PRODUCTS**

# S54 SERIES AXLE

60,000 POUND CAPACITY 30 MPH

**K-B Axle Co.**

5775 NW WAGON WAY / HILLSBORO, OR 97124-8531 / ph: 866.531.0600 / fx: 503.531.0601



**APPROX. WT. 2230 LBS**

**AXLE BEAM** 6" O.D. - Solid Steel  
Heat Treated 4140

---

**BEARINGS**

	Cone	Cup
Inner	10003987	10003991
Outer	10003985	10003991

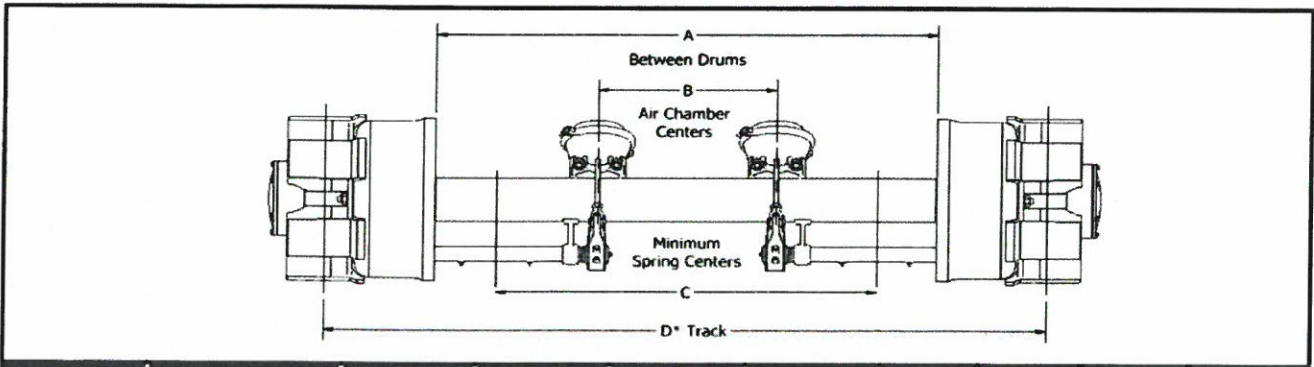
---

**HUBS** Steel spoke wheels for dual demountable 14 X 24  
14 X 24 or 14 X 25 tires.

---

**BRAKES** 20" X 8" X 3/4" FMS 4350

- FEATURES**
- ▶ Completely enclosed camshafts seal dirt out and grease in.
  - ▶ Individual, positively locked brake shoe anchor pins for positive, permanent alignment.
  - ▶ Brake shoes are of all-steel construction with replaceable bushings.
  - ▶ Wheels engineered to meet the most severe operating conditions.



Model No.	Mechanical Air Brake Size	A	B	C	D*	Tire Size	Rim Size	Width Incl. Tires	Camshaft Length
S54	No Brake	N/A	N/A	40	90	14 X 24	24 - 10	123 1/2	26 1/2
S54	20 X 8	62 3/8	22	40	90	14 X 25	25 - 10	123	26 1/2

**Note:** \*Other Track Widths and Camshaft Lengths are available on request.

PARTS SHEET



# S54 SERIES AXLE

60,000 POUND CAPACITY

Brake Size	Hub Type	Hub Part No.	Brake Shoe Part No.	Brake Block FMS No.	Brake Drum Part No.
20 x 8	Steel Spoke Wheel	10007281 - 24/25 Dia. 'T' Type Rim	10006762	4350	10006393
		1000997 - 24 'MD'/25 'T' Type Rim			

Contact factory for parts list for dual cam brake axle. Furnish model number and date of manufacture.

Description	Part Number	Description	Part Number
Axle Beam (specify track)	10009110	Grease Retainer	10007740
Air Chamber Type 36	10003963	Grease Retainer Ring	10007373
Air Chamber Bracket	10006811	Hub Cap	10007748
Air Chamber Bracket Washer	10006810	Hub Cap Gasket	10009526
Anchor	10007375	Hub Cap Bolt	10003013
Anchor Pin	10006768	Hub Cap Lockwasher	10003320
Anchor Pin Lock	10006776	Slack Adjuster	10004256
Anchor Pin Grease Fitting	10004145	Spindle Nut	10006099
Anchor Bolt	10003084	Spindle Nut D-Washer	10006137
Anchor Bolt Lockwasher	10003322	Spindle Nut Cotter Pin	10007195
Anchor Bolt Nut	10003209	Wheel and Drum Attaching Bolt	10009836
Brake Shoe Bushing	10006633	1" Hardened Washer	10003270
Brake Shoe Roller	10006632	Wheel and Drum Attaching Lockwasher	NOT USED
Brake Shoe Roller Pin	10006428	Wheel and Drum Attaching Nut	10009837
Brake Shoe Roller Pin Lock	10006800	Wheel Stud	10009835
Brake Return Spring	10006777	Wheel Rim Clamp	10010238
Brake Block Bolt	10002776	Wheel Clamp Nut	10006813
Brake Block Bolt Lockwasher	10003320	Heavy Duty Spacer Band	10004258
Brake Block Bolt Nut	10008335		
Camshaft Seal	10006780		
Camshaft Washer	10006779		
Camshaft Spring	10006460		
Camshaft Retaining Washer	10006784		
Camshaft Retaining Bolt	10006334		
Camshaft Lockwasher	10003320		
Camshaft Housing Grease Fitting	10005466		

**STANDARD PRODUCTION 1 3/4" DIAMETER CAMSHAFTS AND HOUSINGS**

Camshaft Number	Overall Length	Housing Number
10006801 - 10006802	26 1/2	10006795

SPECIAL LENGTH CAMSHAFTS AVAILABLE AT EXTRA CHARGE.

**Note:** Furnish axle model or serial number when ordering replacement parts.