

S55 SERIES AXLE

60,000 POUND CAPACITY 30 MPH

K-B Axle Co.

5775 NW WAGON WAY / HILLSBORO, OR 97124-8531 / ph: 856.531.0600 / fx: 503.531.0601



APPROX. WT. 2230 LBS

AXLE BEAM 6" O.D. - Solid Steel
Heat Treated 4140

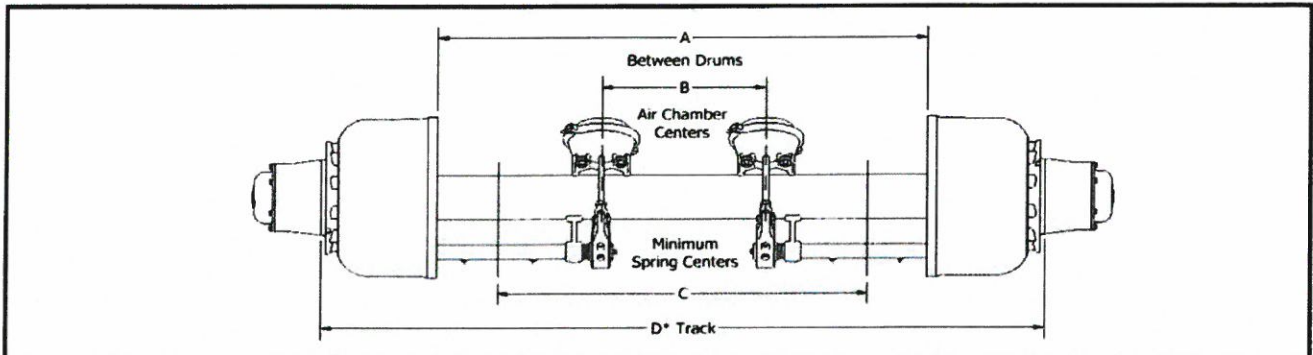
FEATURES

- ▶ Completely enclosed camshafts seal dirt out and grease in.
- ▶ Individual, positively locked brake shoe anchor pins for positive, permanent alignment.
- ▶ Brake shoes are of all-steel construction with replaceable bushings.
- ▶ Wheels engineered to meet the most severe operating conditions.

BEARINGS		Cone	Cup
	Inner	10003987	10003991
	Outer	10003988	10003992

HUBS 10 stud, 13 3/16" B.C. (stud sizes on page 16)

BRAKES 20" X 8" X 3/4" FMS 4350



Model No.	Mechanical Air Brake Size	A	B	C	D*	Tire Size	Wheel Size	Width Incl. Tires	Camshaft Length
S55	No Brake	N/A	N/A	40	90	14 X 24	24 - 10	123	26 1/2
S55	20 X 8	60 7/8	20 1/2	40	90	14 X 25	25 - 10	123	26 1/2

Note: *Other Track Widths and Camshaft Lengths are available on request.

PARTS SHEET



S55 SERIES AXLE

60,000 POUND CAPACITY

Brake Size	Hub Type	Hub Part No.	Brake Shoe Part No.	Brake Block FMS No.	Brake Drum Part No.
20 x 8	10 Stud Budd 13 3/16" B.C.	10007656	10006762	4350	10008201

Contact factory for parts list for dual cam brake axle. Furnish model number and date of manufacture.

Description	Part Number	Description	Part Number
Axle Beam (specify track)	10008980	Grease Retainer	10007660
Air Chamber Type 36	10003963	Grease Retainer Ring	10007373
Air Chamber Bracket	10006811	Hub Cap	10006643
Air Chamber Bracket Washer	10006810	Hub Cap Gasket	10006644
Anchor	10007375	Hub Cap Bolt	10003013
Anchor Pin	10006768	Hub Cap Lockwasher	10003320
Anchor Pin Lock	10006776	Slack Adjuster	10004256
Anchor Pin Grease Fitting	10004145	Spindle Nut	10006135
Anchor Bolt	10003084	Spindle Nut D-Washer	10007667
Anchor Bolt Lockwasher	10003322	Spindle Nut Locking Bolt	10006640
Anchor Bolt Nut	10003209	Spindle Nut Locking Nut	10003193
Brake Shoe Bushing	10006633	Spindle Nut Locking Washer	10003315
Brake Shoe Roller	10006632	Wheel Studs R.H.	10007760
Brake Shoe Roller Pin	10006428	Wheel Studs L.H.	10007761
Brake Shoe Roller Pin Lock	10006800	Wheel Stud Nuts	10006815
Brake Return Spring	10006777	Wheel Stud Flat Washer	10003270
Brake Block Bolt	10002776	Wheel Nuts R.H. (inner)	10006338
Brake Block Bolt Lockwasher	10003320	Wheel Nuts L.H. (inner)	10006339
Brake Block Bolt Nut	10008335	Wheel Nuts R.H. (outer)	10007002
Camshaft Seal	10006780	Wheel Nuts L.H. (outer)	10007003
Camshaft Washer	10006779		
Camshaft Spring	10006460		
Camshaft Retaining Washer	10006784		
Camshaft Retaining Bolt	10006334		
Camshaft Lockwasher	10003320		
Camshaft Housing Grease Fitting	10005466		

STANDARD PRODUCTION 1 3/4" DIAMETER CAMSHAFTS AND HOUSINGS

Camshaft Number	Overall Length	Housing Number
10006801 - 10006802	26 1/2	10006795

SPECIAL LENGTH CAMSHAFTS AVAILABLE AT EXTRA CHARGE.

Note: Furnish axle model or serial number when ordering replacement parts.